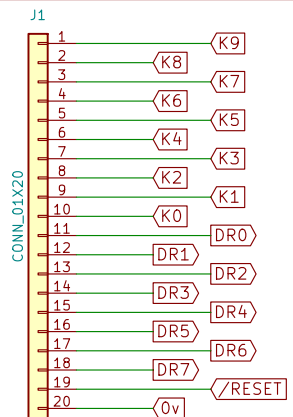
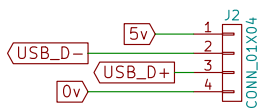


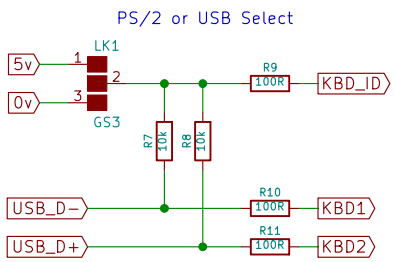
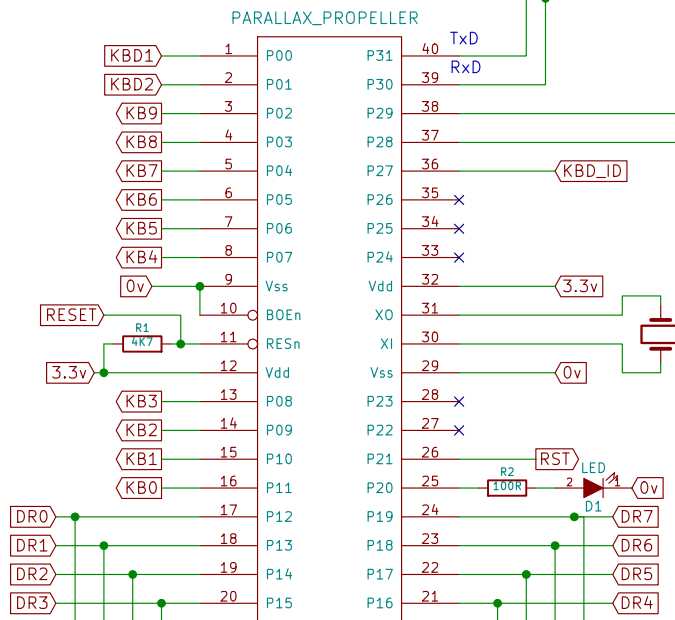
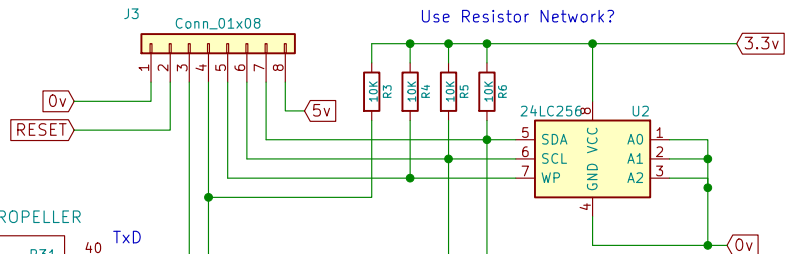
MTX Keyboard Connector



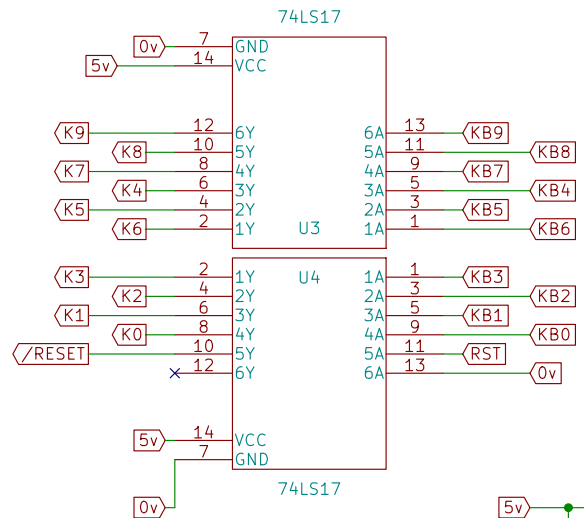
MTX Keyboard Pass-Through



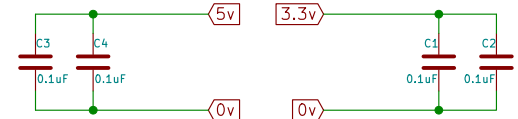
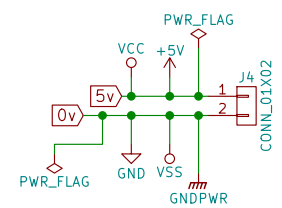
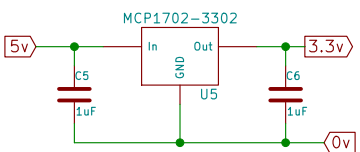
USB Keyboard, or PS/2 Keyboard (with cable adapter)



PS/2 or USB Select



Change to non-inverting?



Sheet: /	
File: Keyboard.sch	
Title: Memotech MTX PS/2 & USB Keyboard Interface	
Size: A4	Date: 2018-04-04
KiCad E.D.A. eeschema 4.0.7	Rev: 2.03
	Id: 1/1