

This schematic is based on my development of the Panasonic MSX (Turbo R) video schematic found in the Service Manual from Hans Otten's site : (<http://msx.hansotten.com/index.php?page=msxmanuals>)

This design has been used to assemble two prototype boards which have been tested with Composite Video, S-Video and RGB SCART outputs with encouraging results. The design includes additional logic to generate automatic CPU wait states to enable operation at up to 16MHz (courtesy of Tony Brewer).

If you spot any errors or have any constructive feedback, please contact me through my website : (<http://primrosebank.net/computers/mtx/mtx512.htm>)

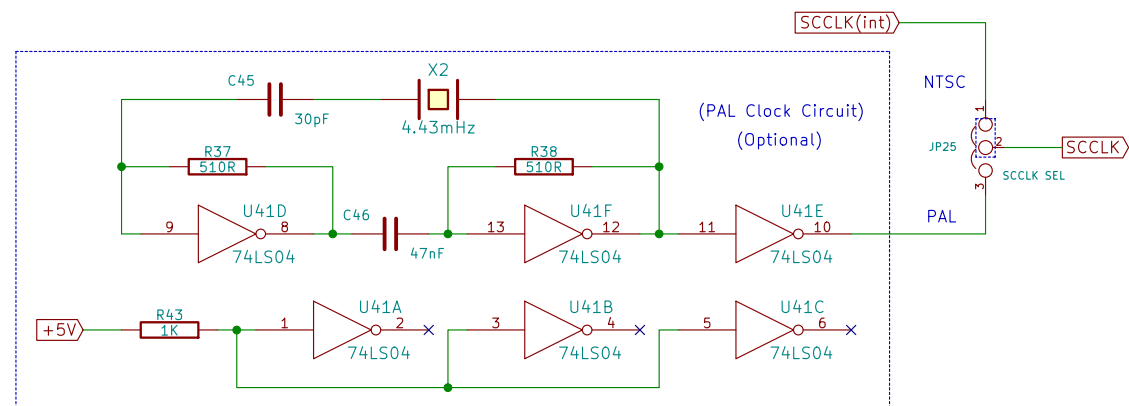
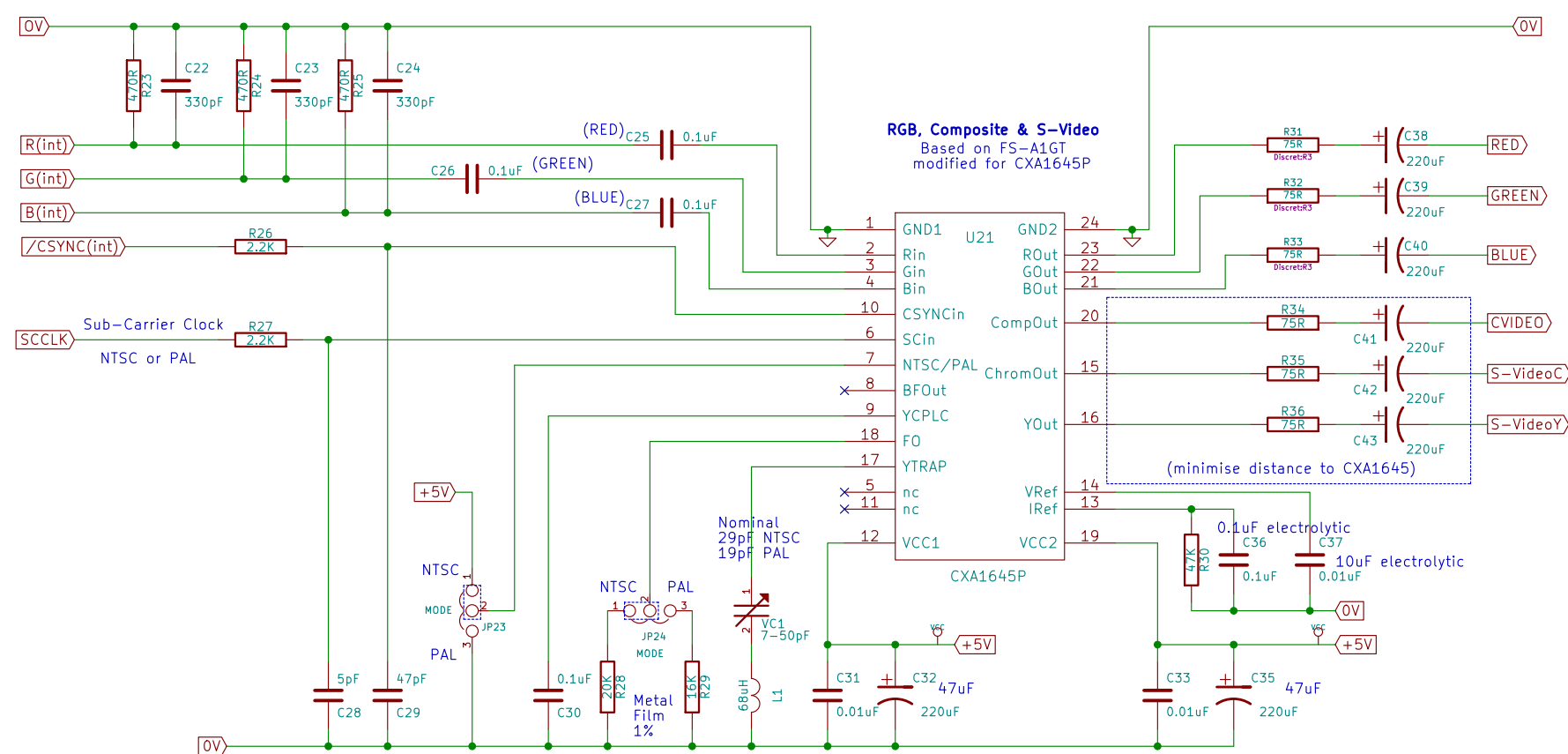
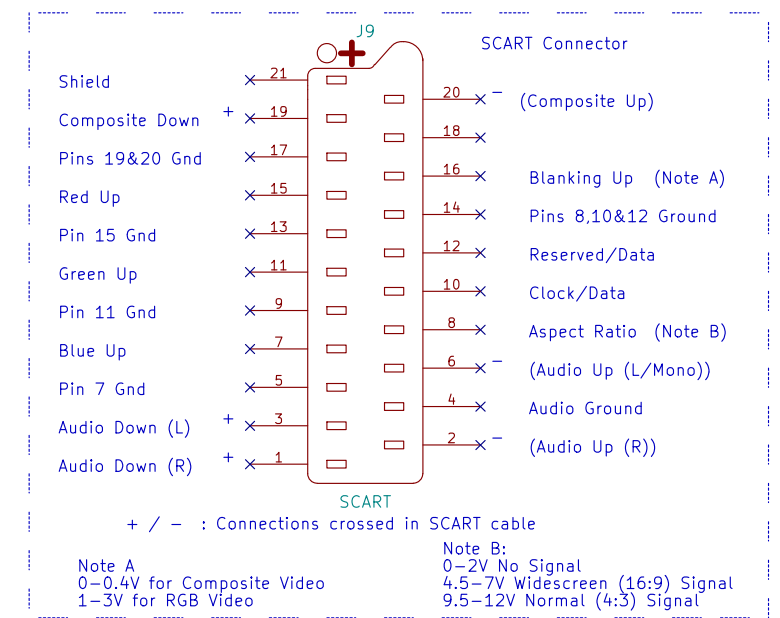
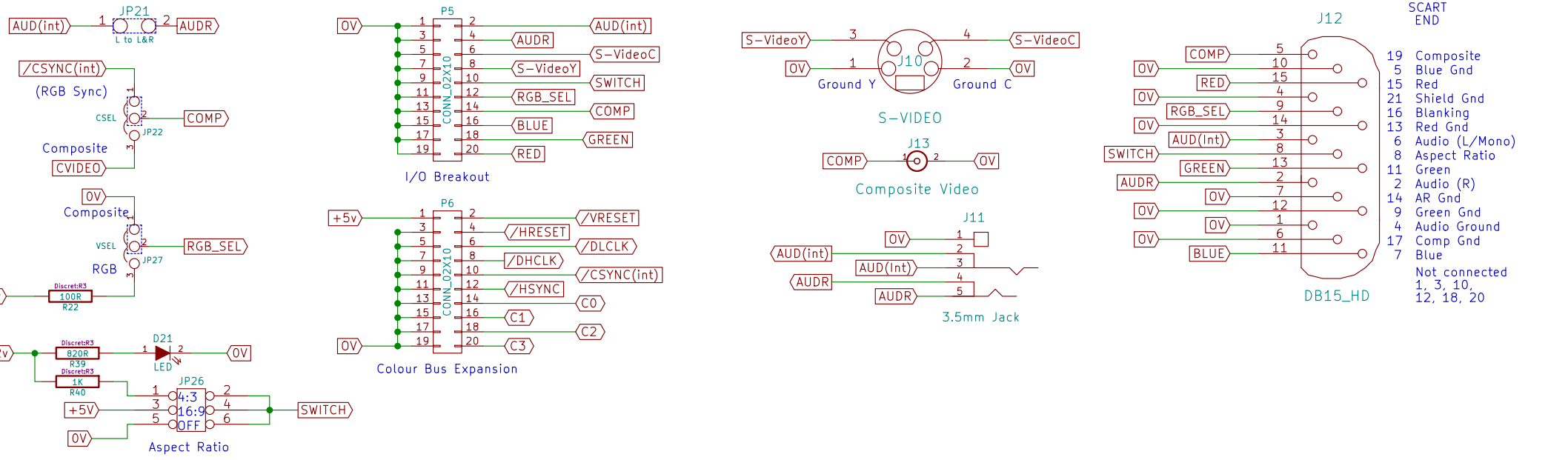
You are free to copy, use & abuse this schematic as you wish, all I ask is that you credit the source should you wish to post it elsewhere.

Dave Stevenson, 2015, 2016

Sheet Inventory
 U1 to U12
 C2 to C18
 R1 to R19

Sheet: VDP_Ver2_Sheet2
 File: VDP_Ver2_Sheet2.sch

Sheet: /		
File: VDP_ver2.sch		
Title: MTXPlus+ Video Board by Dave Stevenson		
Size: A3	Date: 2016-08-31	Rev: 1.20
KiCad E.D.A. kicad 4.0.1-stable		Id: 1/2



Revision History

1.20 31/08/2016 For PCB Production – initial version

Modified video wait state logic (Tony Brewer)
 Added U12 (74xx175) and C19. (The values used by the Wait State generator are set when port FFh is updated to set a new CPU PHI frequency.)
 Removed obsolete DIP switches
 Added header (P6) for Colour Bus Expansion

See Versions prior to 1.20 for Prototype Board development

This schematic is based on my development of the Panasonic MSX (Turbo R) video schematic found in the Service Manual from Hans Otten's site : (<http://msx.hansotten.com/index.php?page=msxmanuals>)

This design has been used to assemble two prototype boards which have been tested with Composite Video, S-Video and RGB SCART outputs with encouraging results.

If you spot any errors or have any constructive feedback, please contact me thorough my website : (<http://primrosebank.net/computers/mtx/mtx512.htm>)

You are free to copy, use & abuse this schematic as you wish, all I ask is that you credit the source should you wish to post it elsewhere.

Dave Stevenson, 2015, 2016