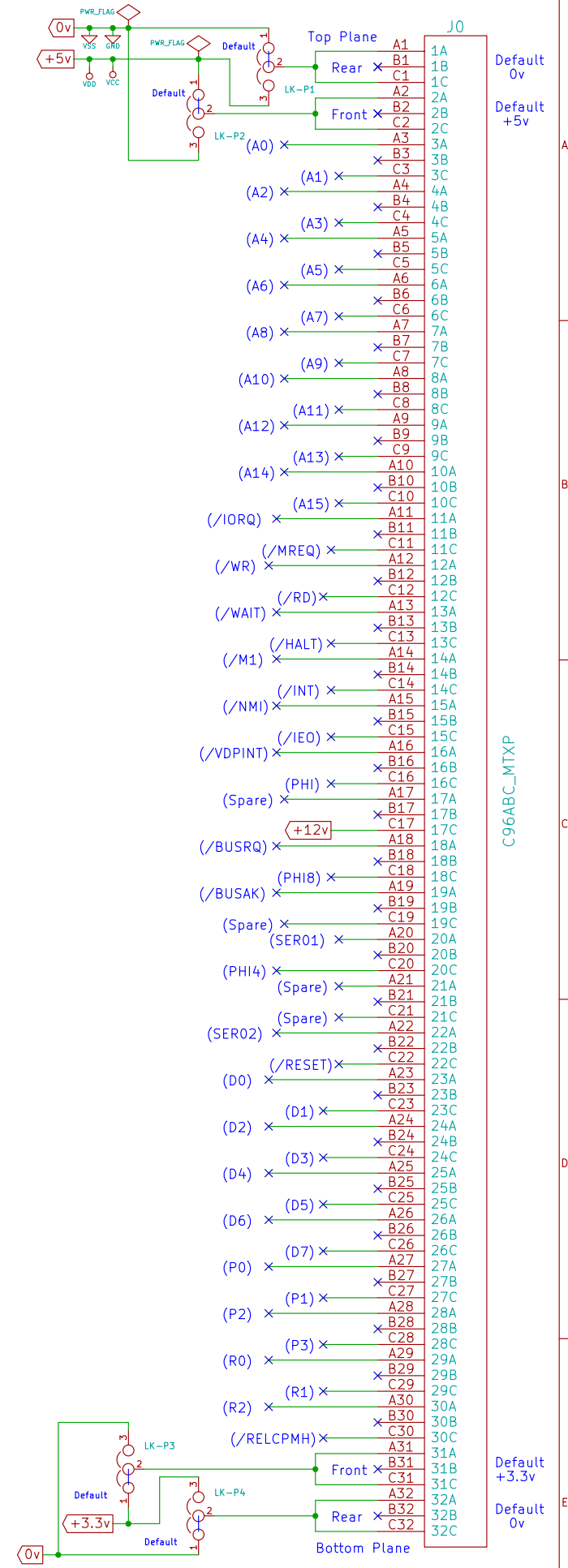
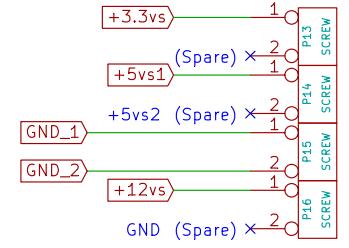
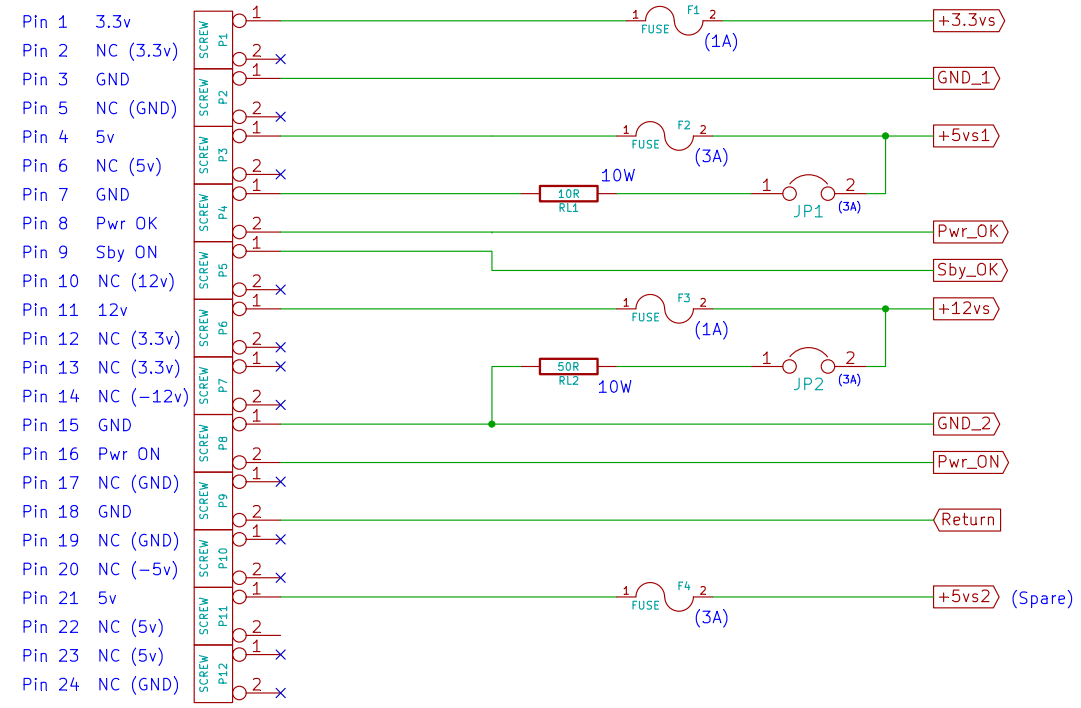


ATX Source



Revision History
 1.0 Revision Number Change Only, 26-Sep-2014
 0.3 Design Freeze, 1-Apr-2014
 - Design Development
 - Draft

File: Power.sch		
Sheet: /		
Title: MTXPlus Power Supply Board, Dave Stevenson, 2014		
Size: A3	Date: 25 sep 2014	Rev: 1.0
KiCad E.D.A. eschema (2013-07-07 BZR 4022)-stable		Id: 1/1