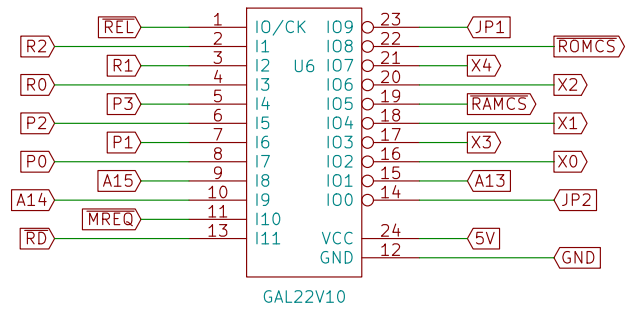
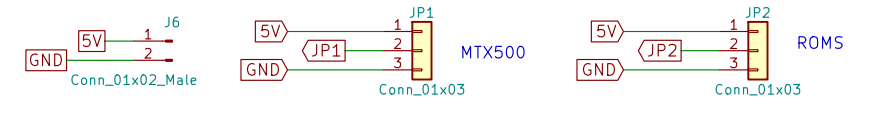
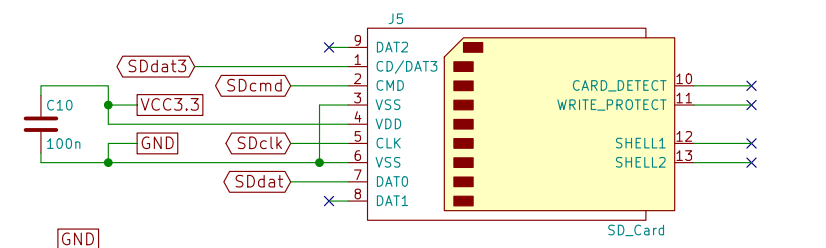
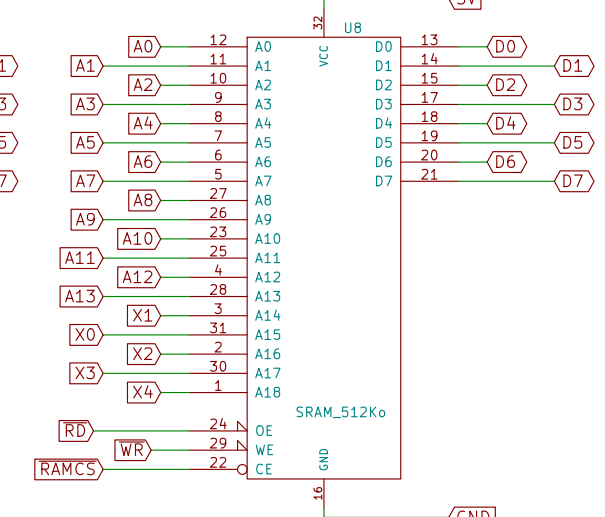
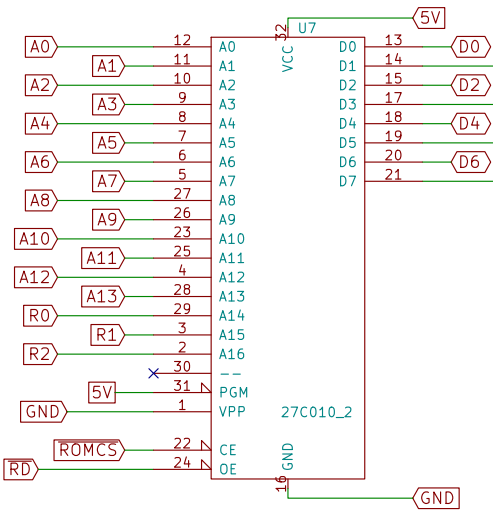
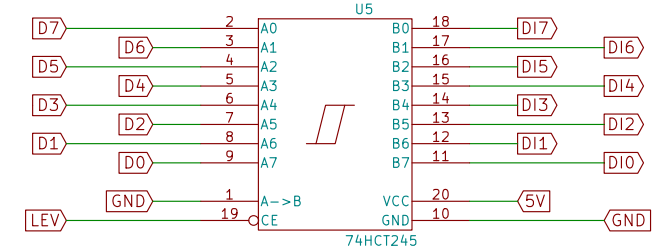
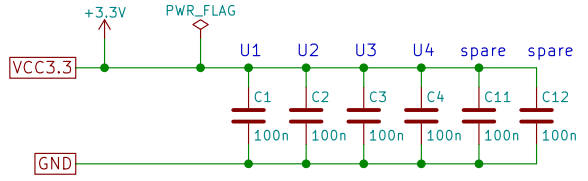
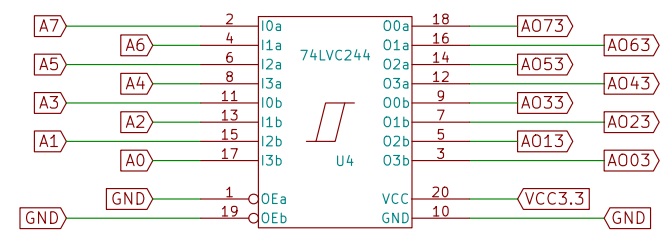
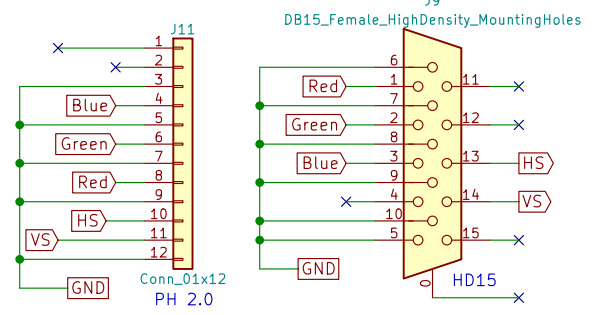
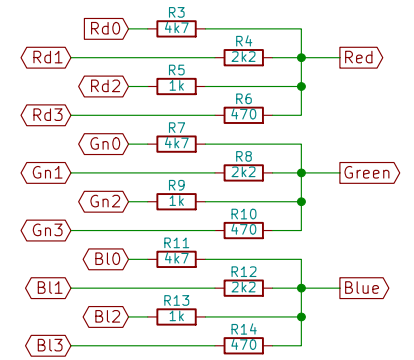
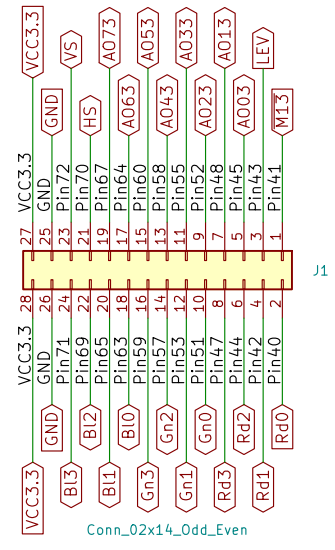
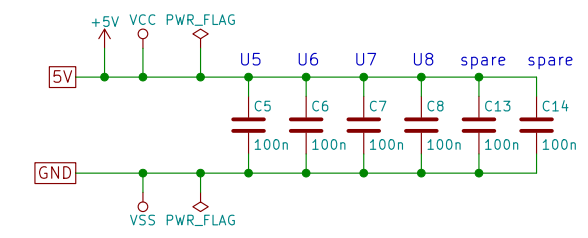
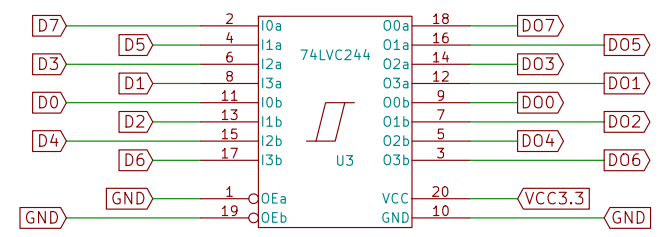


D1x are Inputs TO the MTX FROM the FPGA (3v to 5v)  
D0x are Outputs FROM the MTX TO the FPGA (5v to 3v)



Design : Martin Allcorn  
Engineering : Dave Stevenson

Sheet: /  
File: MFX.sch

**Title: Memotech Multi Fncion eXPansion Card (MFX)**

Size: A3 Date: Rev: 0.1  
KiCad E.D.A. kicad 4.0.7 Id: 1/1