

System Schematics

Service Addendum

A1200

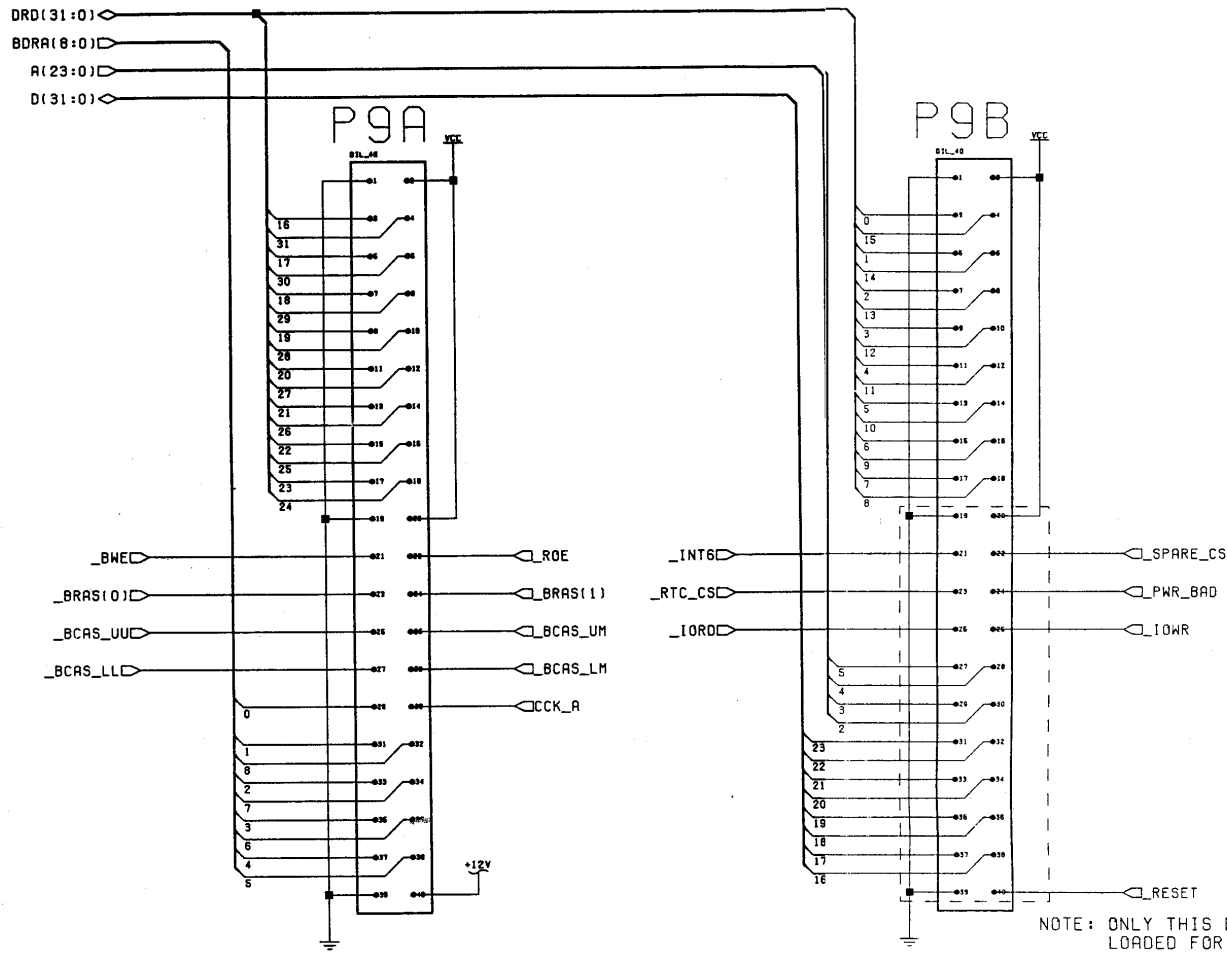


Commodore

 **Commodore[®]**
AMIGA[®]

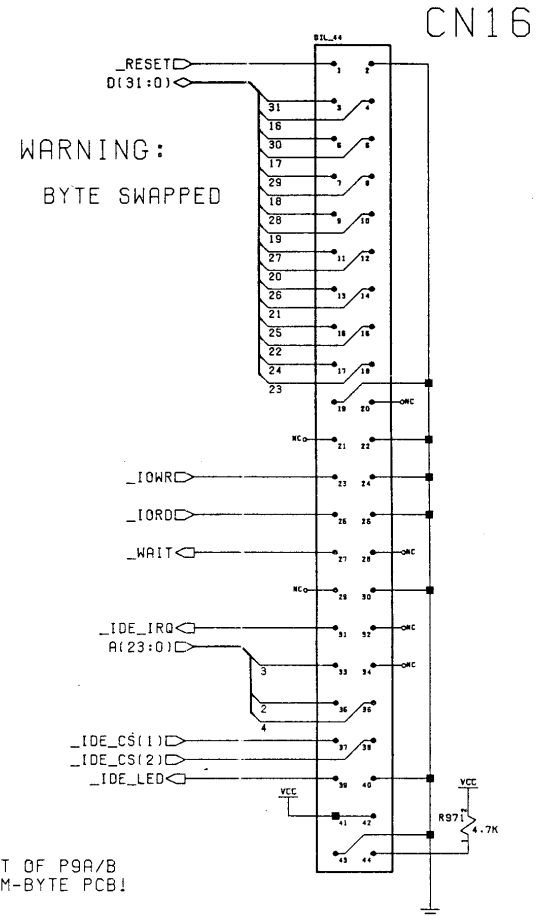
Commodore Business Machines, Inc.
Technology Group
1200 Wilson Drive, West Chester, Pennsylvania 19380, USA.

MEMORY EXPANSION



NOTE: ONLY THIS BIT OF P9A/B LOADED FOR 2M-BYTE PCB!

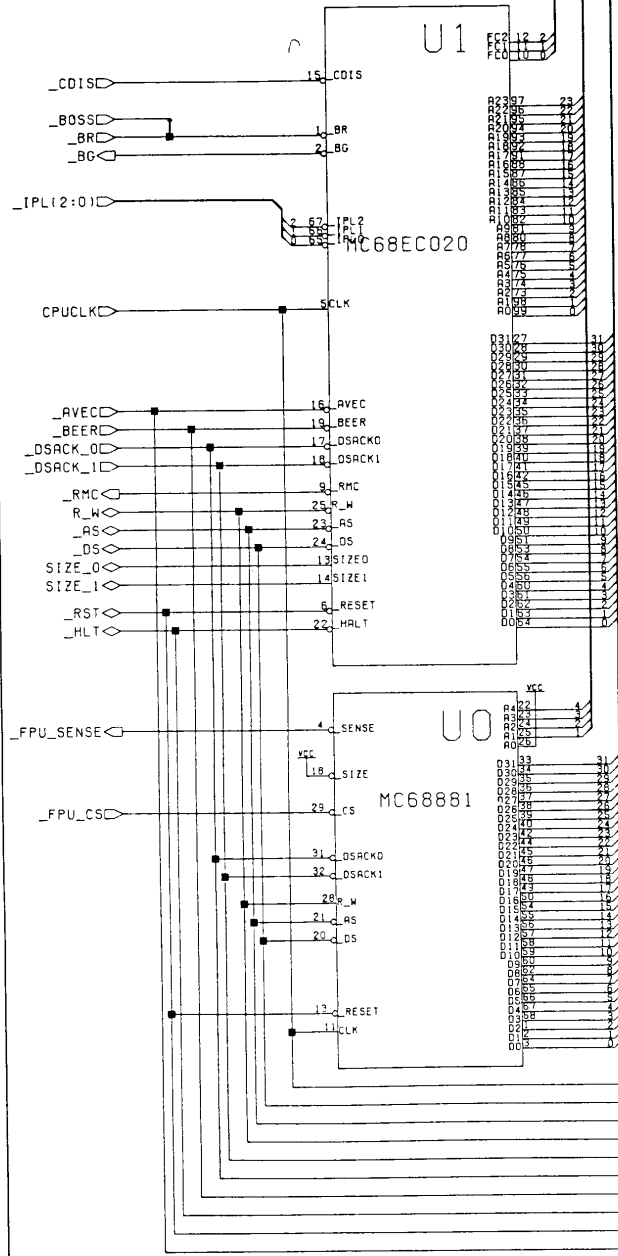
IDE DRIVE



WARNING:
BYTE SWAPPED

CHANNEL Z 10/10/92

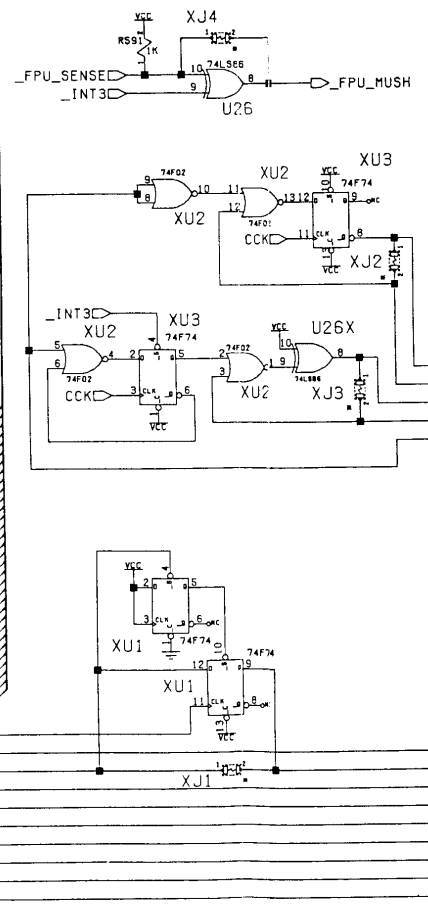
D(31:0)
A(23:0)
FC(2:0)



OOPS!

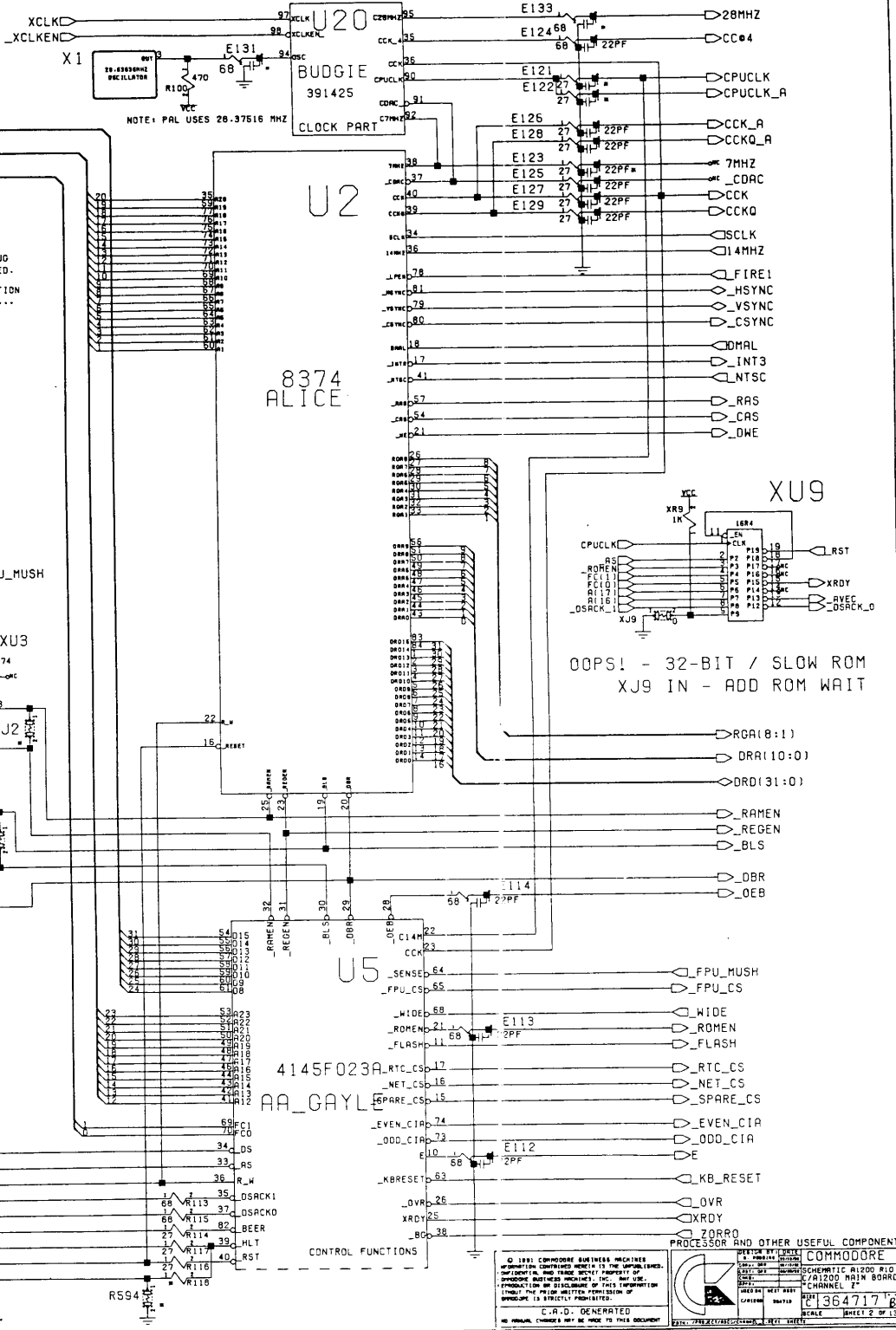
ALL THIS STUFF SERVES TO CORRECT ONE MINOR GAYLE BUG AND A NUMBER OF ALICE DEFICIENCIES NOT YET CORRECTED. ASSUMING THE CHANGES ARE IMPLEMENTED IN THE PRODUCTION GAULE CHIP, THEN ALL THIS SILLYNESS IS BEST ERASED...

REFERENCE	OLD GAYLE	NEW GAYLE
XU1	74F74	NONE
XU2	74F02	NONE
XU3	74F74	NONE
U26X	74F86	NONE
XJ4	0 OHM	OUT
XJ1	OUT	0 OHM
XJ2	OUT	0 OHM
XJ3	OUT	0 OHM
U26	NOTE	74LS86



A1200 REV 1->1D PCB

NOTE: VARIOUS COMPONENTS ARE FOR EMI CONTROL AND MAY BE LOADED WITH FUNNY THINGS...



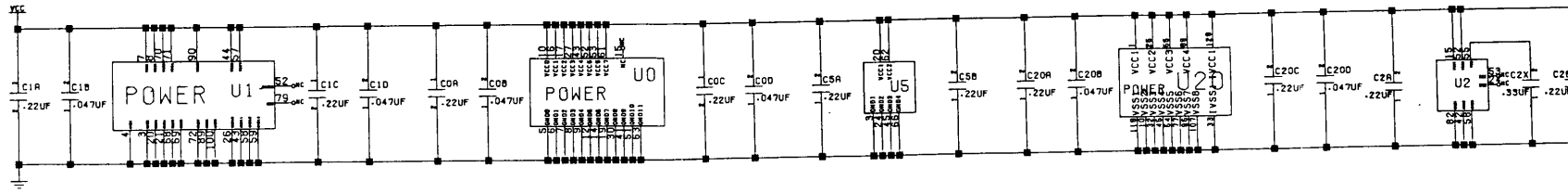
PROCESSOR AND OTHER USEFUL COMPONENTS

COMMODORE

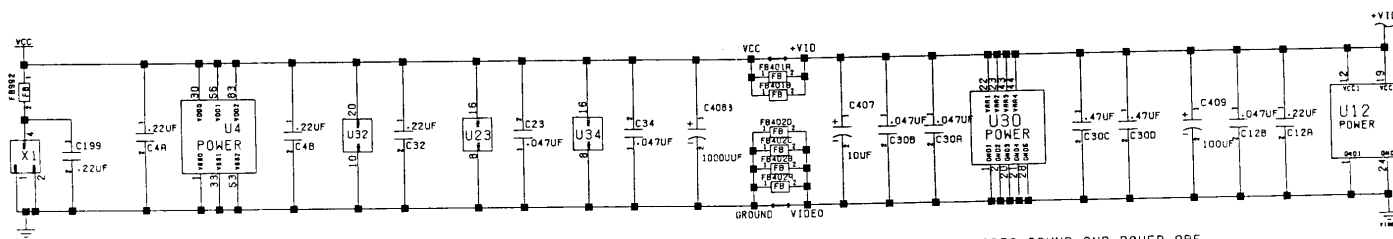
CHEMATIC A1200 R10
C/A1200 MAIN BOARD
CHANNEL Z

364717
PAGE 2 OF 10

GENERAL DECOUPLING

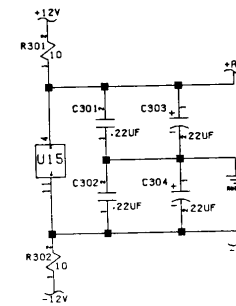


VIDEO DECOUPLING

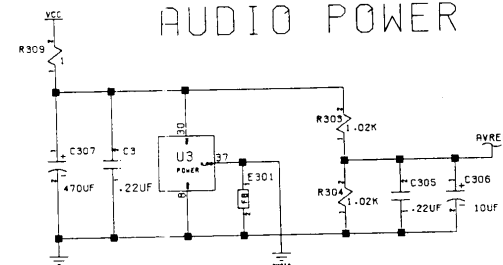


NOTE: AS OF REV 1C, LOGIC AND VIDEO GROUND AND POWER ARE THE SAME NET, BUT ROUTED DISCRETELY EXCEPT AT DAC1
ALSO ADDED C30C AND C30D FOR OVERKILL DAC DECOUPLING.

AUDIO DECOUPLING

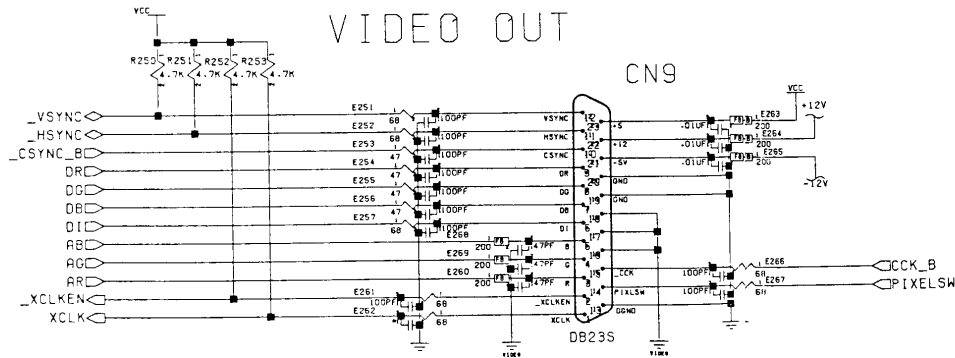


AUDIO POWER

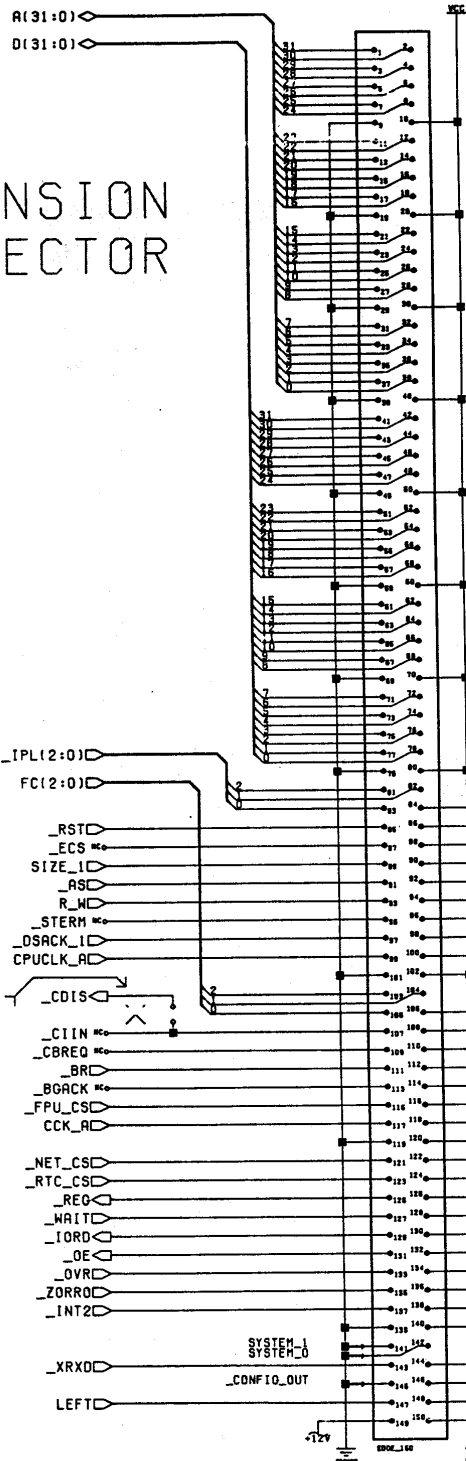


NOTE: GROUND INTERCONNECTION NEAR AUDIO JACKS.

VIDEO OUT



EXPANSION CONNECTOR

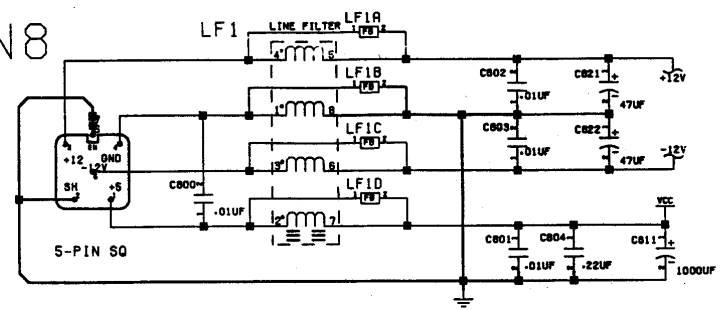


DELETED R18 PCB

P1

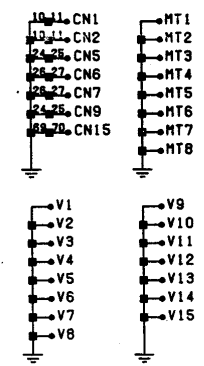
POWER INPUT

CN8

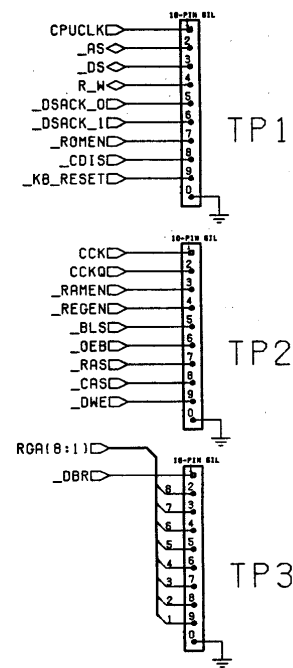


NOTE: HEAVY LINES INDICATE A SINGLE POINT CONNECTION

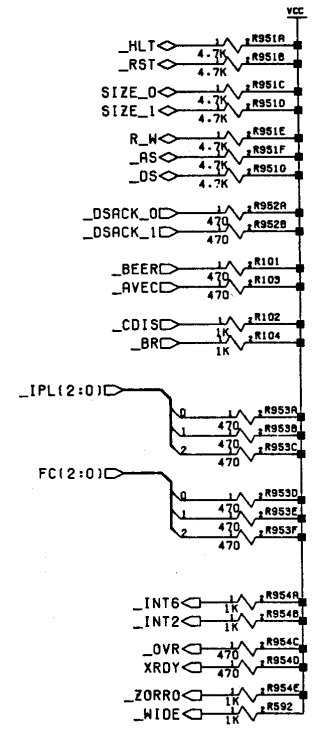
HOLES & C.



TEST ACCESS



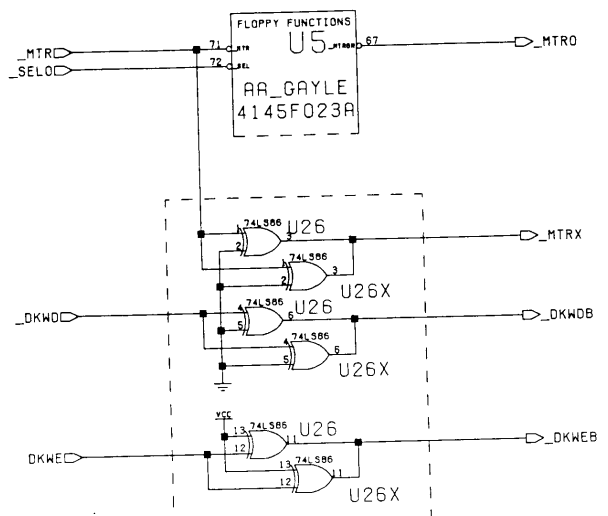
TERMINATION



SYSTEM CONFIGURATION BITS

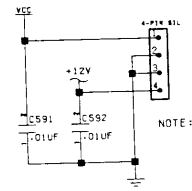
SYSTEM	1	0	CPU/CPUCLK
	0	0	EC020/14MHZ
	0	1	020/14MHZ
	1	0	030/14MHZ
	1	1	030/>14MHZ

FLOPPY LOGIC



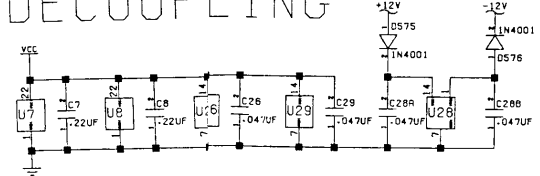
SEE DOPS ON PAGE 2...
U26 AND U26X MAY OVERLAP!

FLOPPY POWER

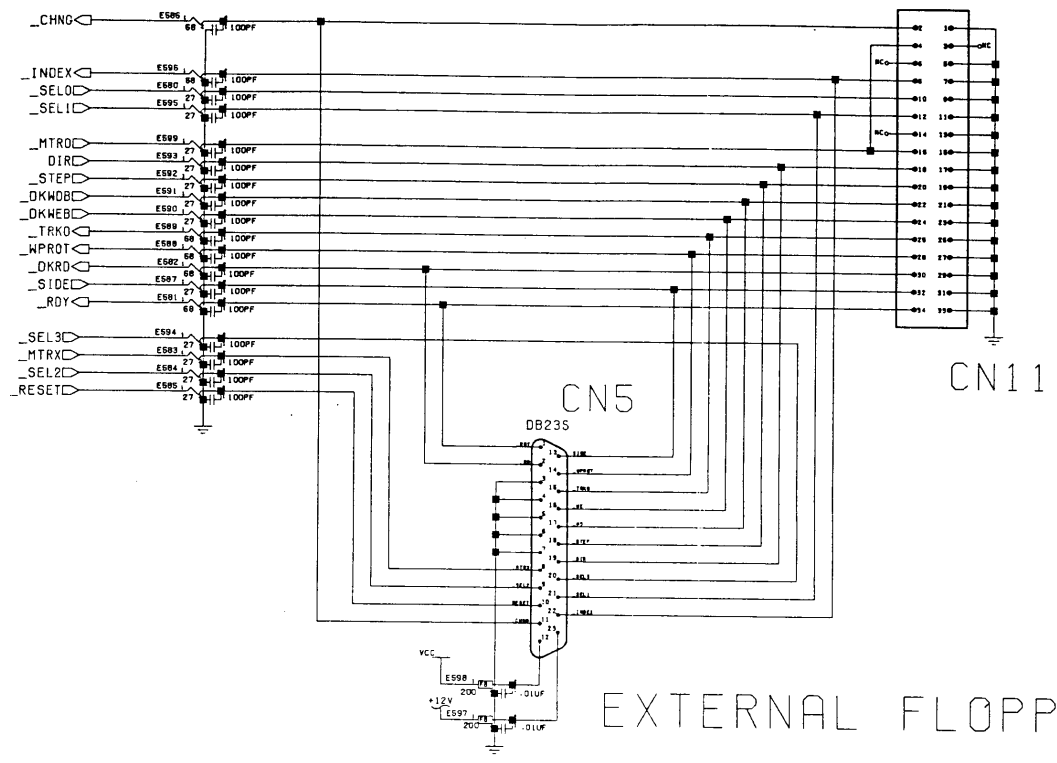


NOTE: SOME DRIVES ARE +5 ONLY...

DECOUPLING



INTERNAL FLOPPY



EXTERNAL FLOPPY

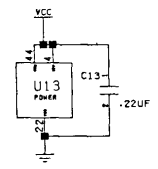
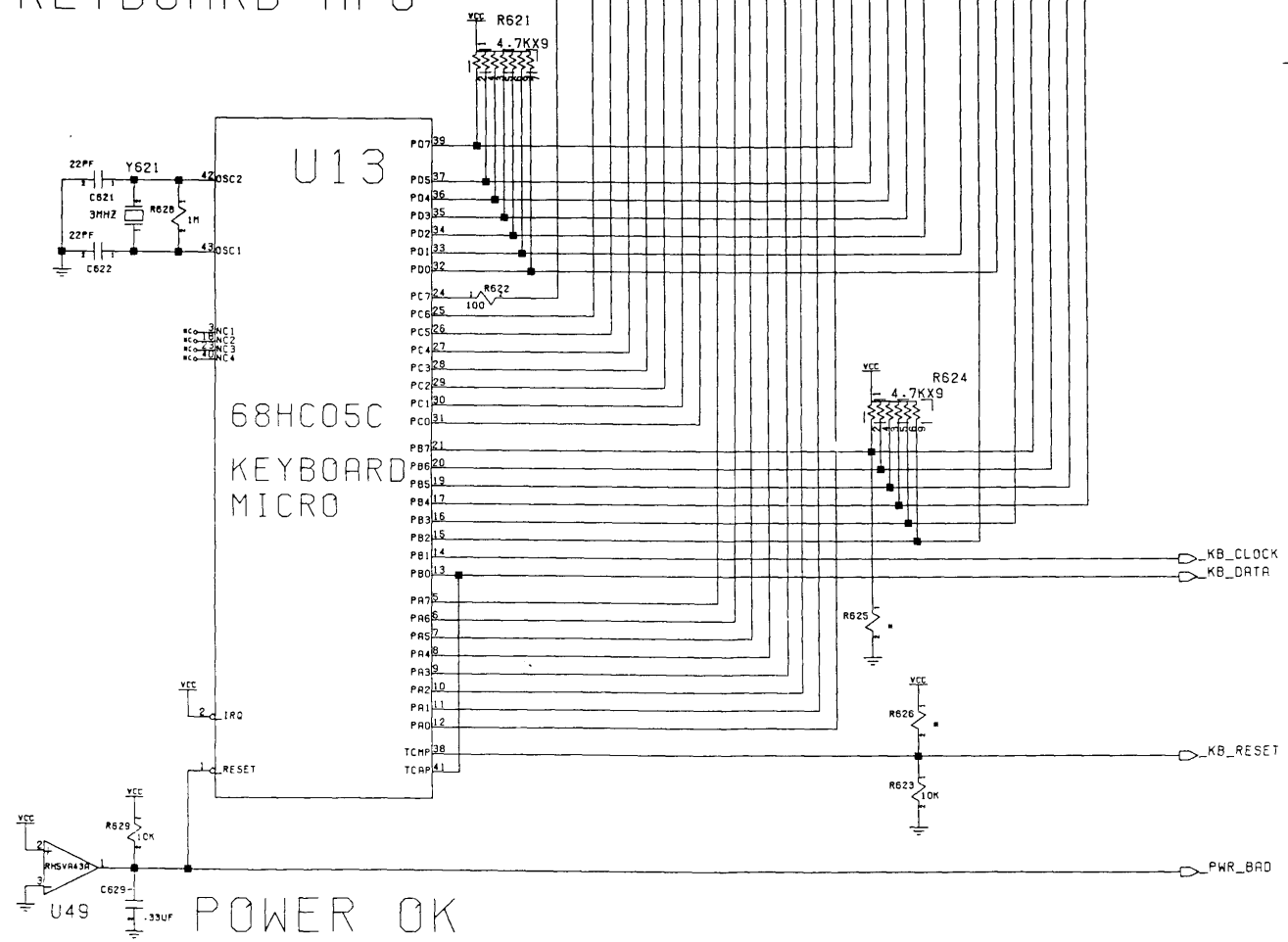
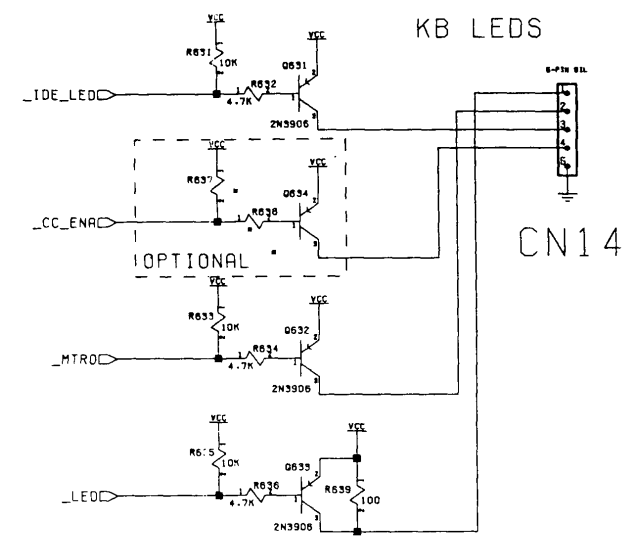
THE REST OF THE FLOPPY STUFF

DESIGNED BY: J. S. JONES	COMMODORE
DATE: 08/1981	241200 MAIN BOARD
REV: 001	CHANNEL 2
DESIGNED BY: J. S. JONES	DATE: 08/1981
REV: 001	DATE: 08/1981
C.R.D. GENERATED	SCALE: SHEET 8 OF 13

© 1981 COMMODORE BUSINESS MACHINES
IN WHOLE OR PART. ALL RIGHTS RESERVED.
COMMODORE BUSINESS MACHINES, INC. MAY USE
PERFORMANCE OR SPECIFICATIONS OF THIS INFORMATION
WITHOUT THE PRIOR WRITTEN PERMISSION OF
COMMODORE. IS STRICTLY FORWARDED.

KEYBOARD TAIL CN13

KEYBOARD MPU



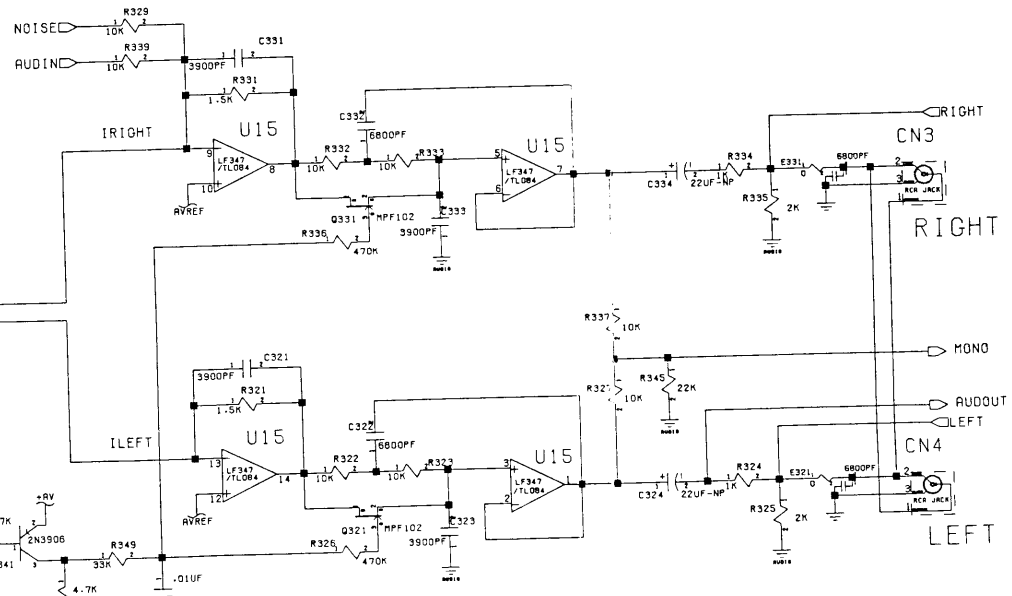
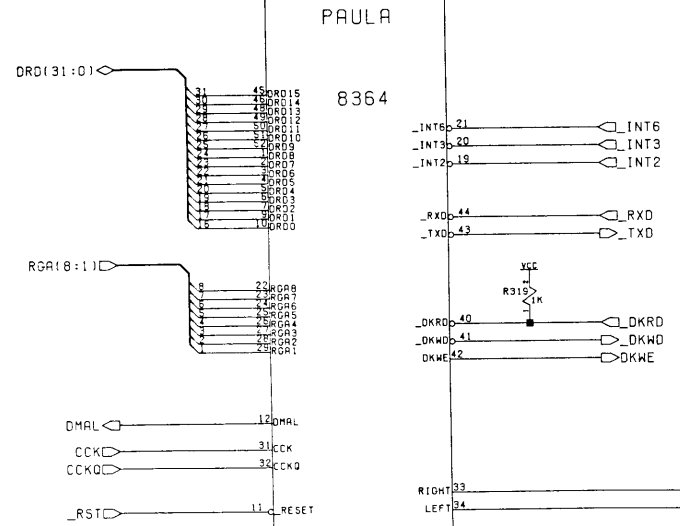
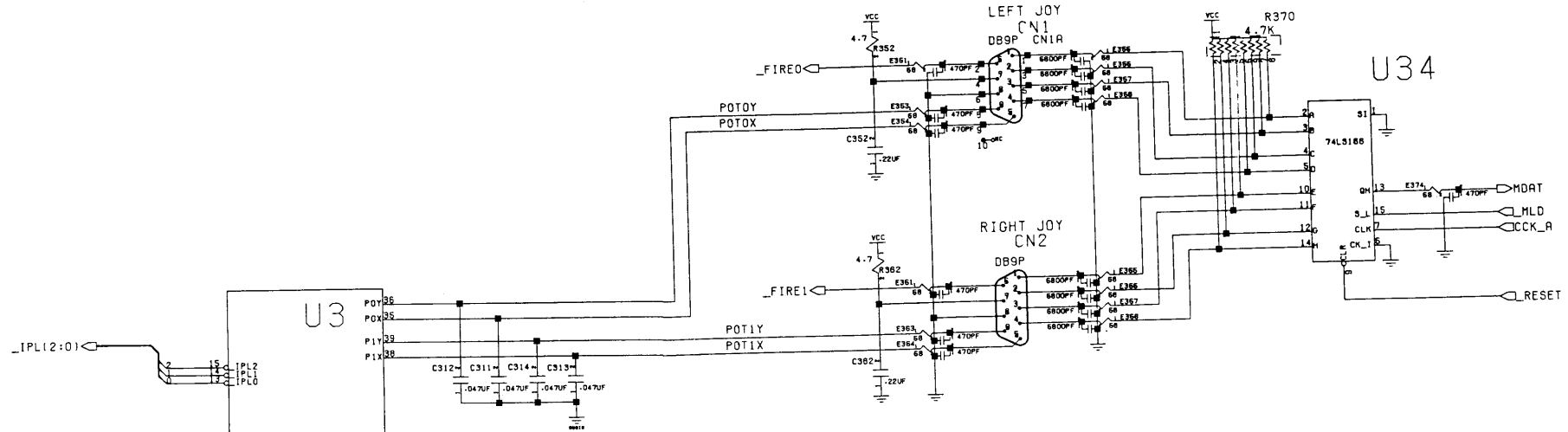
A1200 REV 1->1D PCB

© 1981 COMMODORE BUSINESS MACHINES
 INFORMATION CONTAINED HEREIN IS THE UNPUBLISHED
 CONFIDENTIAL AND TRADE SECRET PROPERTY OF
 COMMODORE BUSINESS MACHINES. IN NO WAY
 SHOULD THIS INFORMATION BE DISCLOSED OR REPRODUCED
 WITHOUT THE WRITTEN PERMISSION OF
 COMMODORE. ITS STRICTLY PROHIBITED.

THE NEW HOME OF THE KEYBOARD VIRUS
COMMODORE
 SCHEMATIC A1200 A1D
 C/A:200 MAIN BOARD
 CHANNEL 27
 PART 364717 B
 SCALE 1/8"=1" SHEET 9 OF 13

C.R.D. GENERATED
 NO MANUAL CHANGES MAY BE MADE TO THIS DOCUMENT

MOUSE/JOYSTICK PORTS



NOTE: LED OFF, FILTERS BYPASSED

AUDIO FILTERS

A1200 REV 1->1D PCB

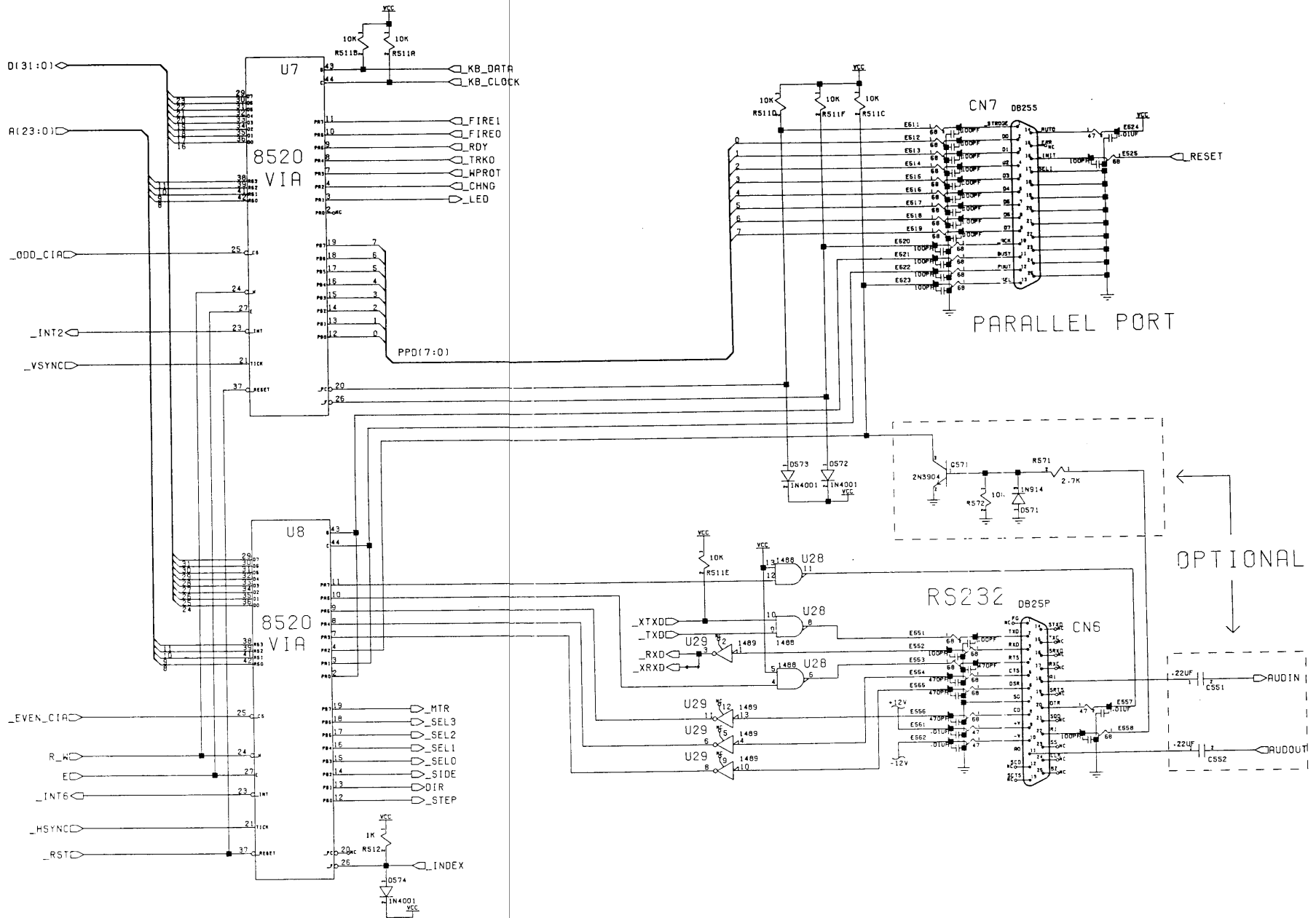
PAULA PREFERS THE TRADITIONAL MODES

© 1981 COMMODORE BUSINESS MACHINES
 ALL RIGHTS RESERVED. THIS DOCUMENT IS UNCLASSIFIED.
 COMMODORE BUSINESS MACHINES, INC. AND LOGO
 REPRODUCTION OR DISSEMINATION OF THIS DOCUMENTATION
 WITHOUT THE WRITTEN PERMISSION OF
 COMMODORE IS STRICTLY PROHIBITED.

C.H.D. GENERATED

NO OTHER CHANGES WERE MADE TO THIS DOCUMENT

COMMODORE
 COMMERCIAL A1200 MID
 CHANNEL 2
 1364717
 1364717

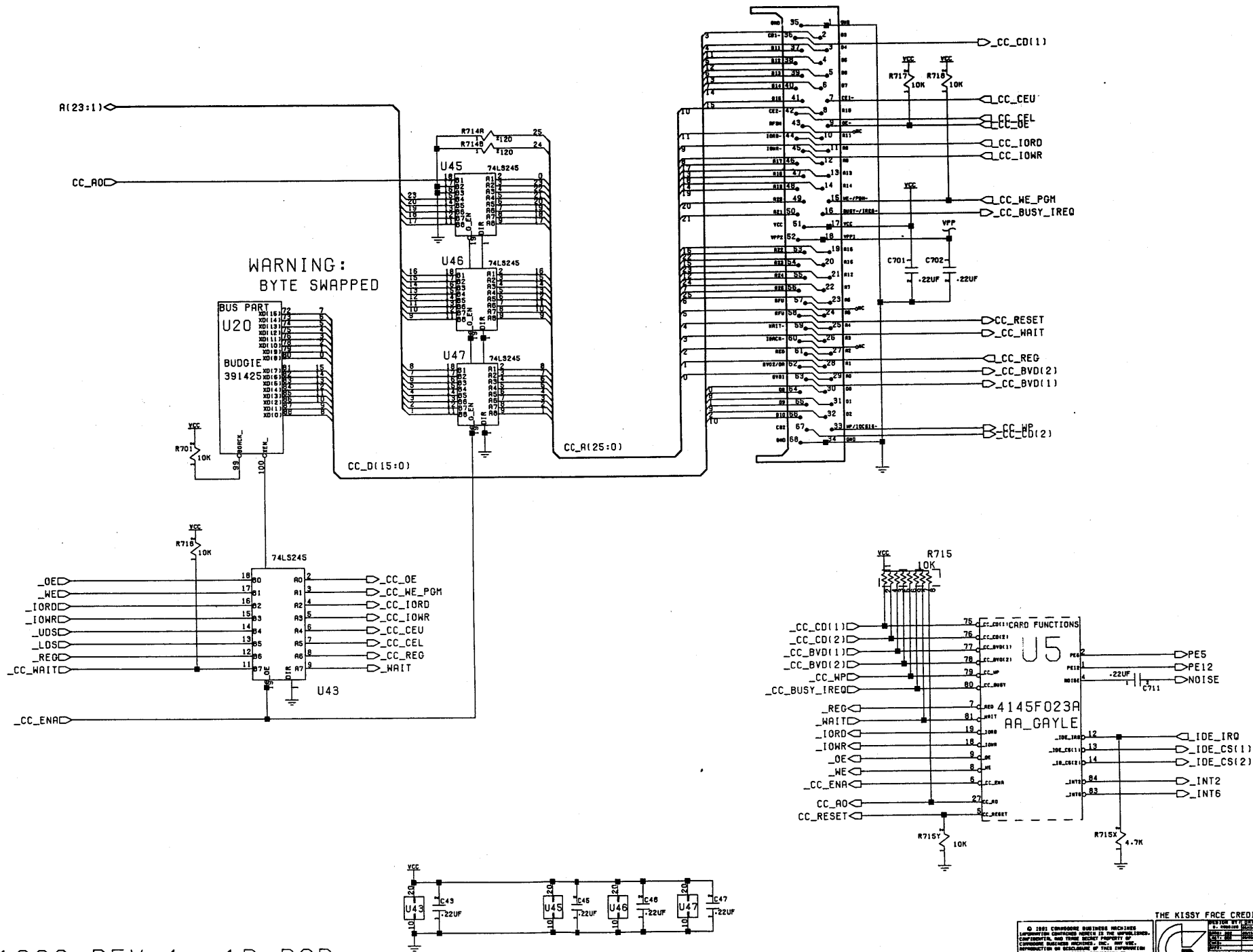


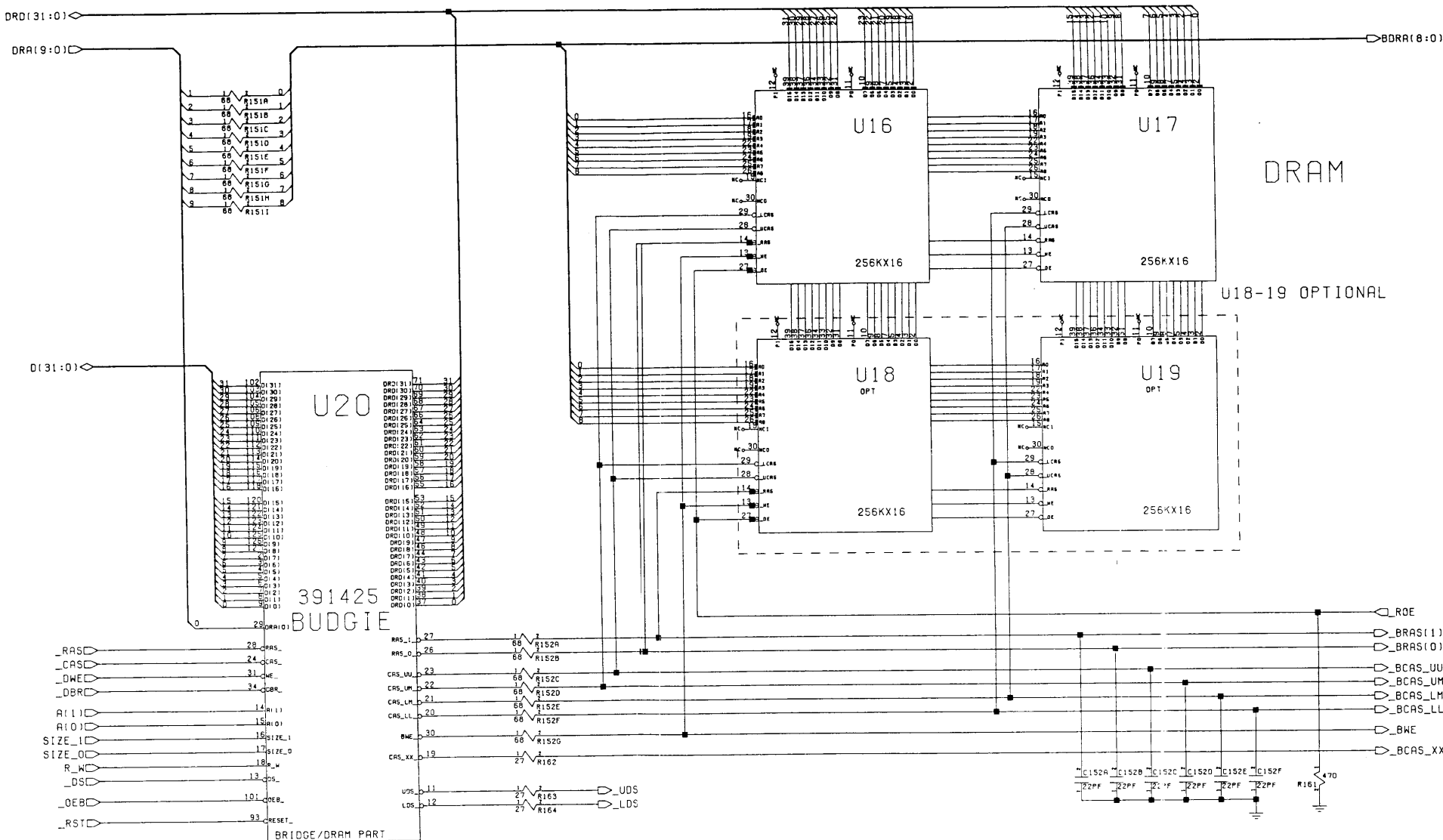
A1200 REV 1->1D PCB

SERIAL AND PARALLEL PORTS
 © 1981 COMMODORE BUSINESS MACHINES
 ALL RIGHTS RESERVED
 COMMODORE BUSINESS MACHINES
 15455 SHAW BLVD
 FORT COLLINS, CO 80525
 U.S.A.
 COMMODORE A1200 MAIN BOARD
 CHANNEL 2
 364717
 C.A.D. GENERATED
 NO PARTS CHANGE MAY BE MADE IN THIS DOCUMENT
 SHEET 7 OF 13

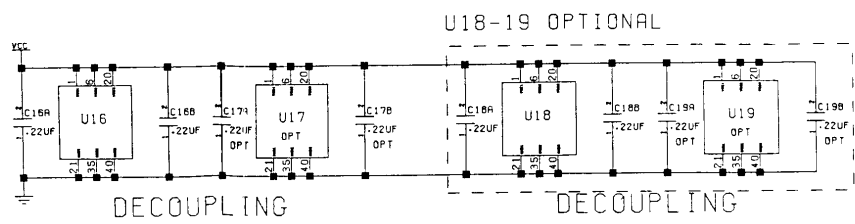
MEMORY CARD

CN15





A1200 REV 1->1D PCB



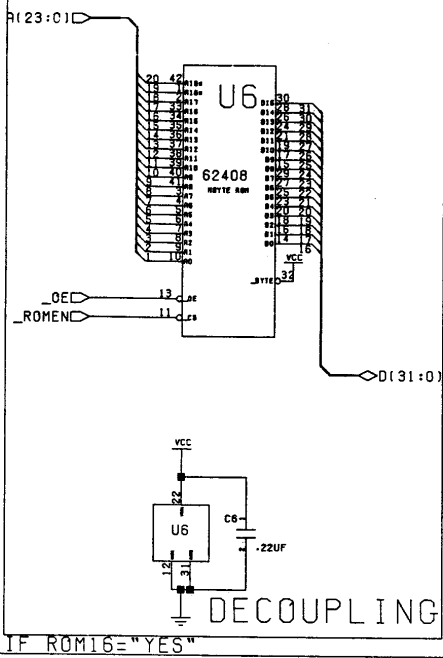
© 1991 COMMODORE BUSINESS MACHINES
 INFORMATION CONTAINED HEREIN IS THE UNCLASSIFIED, CONFIDENTIAL AND TRADE SECRET PROPERTY OF COMMODORE BUSINESS MACHINES, INC. AND USE, REPRODUCTION OR DISSEMINATION THEREOF WITHOUT THE WRITTEN PERMISSION OF COMMODORE IS STRICTLY PROHIBITED.

DESIGN BY: JAMES
 DATE: 07/11/91
 SCALE: 1:1
 SHEET 3 OF 13

MEMORY AND... WELL, I USED TO REMEMBER
 COMMODORE
 CHEMIST: ALDO ALO
 /A1200 MAIN BOARD
 CHANNEL 2
 364717 E

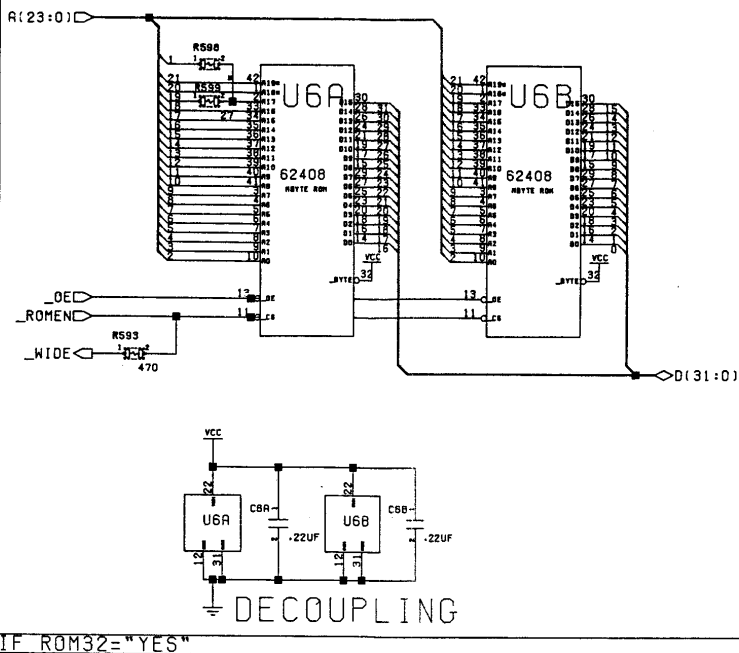
C.A.D. GENERATED
 NO MANUAL CHANGES MAY BE MADE TO THIS DOCUMENT

16-BIT ROM



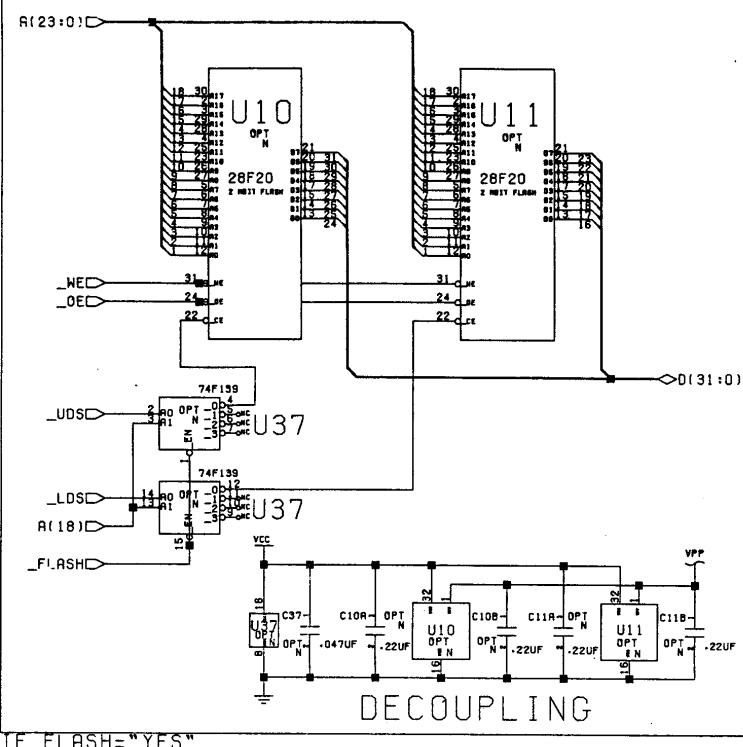
IF ROM16="YES"

32-BIT ROM



IF ROM32="YES"

FLASH MEMORY

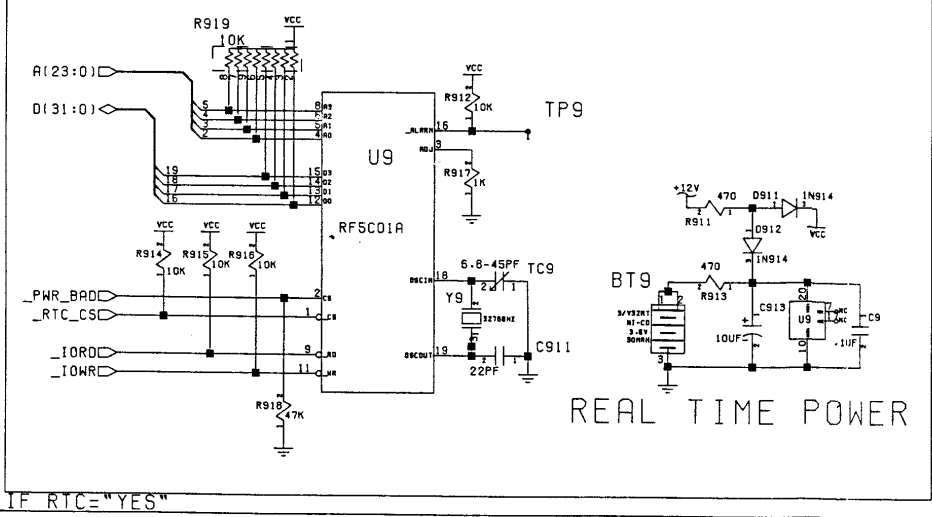


IF FLASH="YES"

16 AND 32-BIT SOCKETS MAY OVERLAP!

OPTIONAL FLASH MEMORY

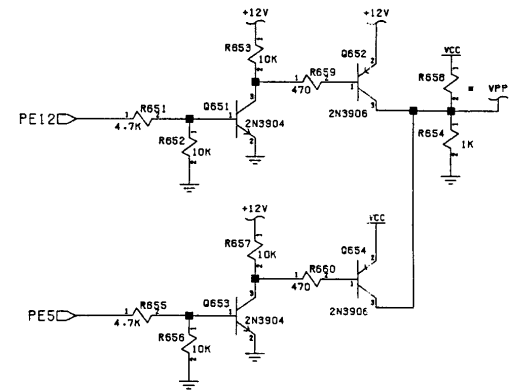
REAL TIME CLOCK

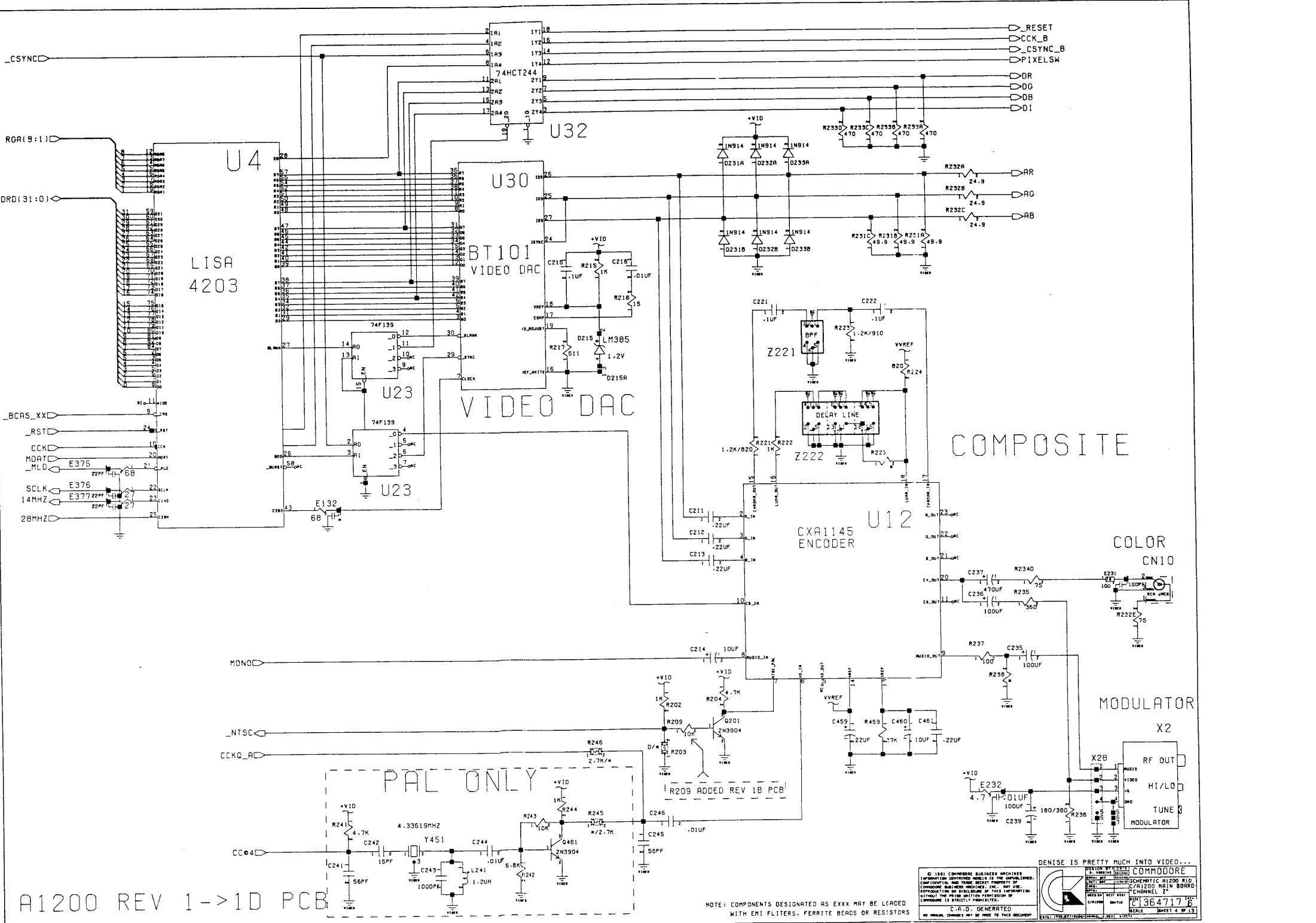


IF RTC="YES"

OPTIONAL REAL-TIME CLOCK/CALENDAR

PROGRAMMING VOLTAGE





A1200 REV 1->1D PCB

NOTE: COMPONENTS DESIGNATED AS EXXX MAY BE LOADED WITH EMI FILTERS, FERRITE BEADS OR RESISTORS

© 1991 COMMODORE BUSINESS MACHINES
 INFORMATION CONTAINED HEREIN IS THE UNPUBLISHED, CONFIDENTIAL AND TRADE SECRET PROPERTY OF COMMODORE BUSINESS MACHINES, INC. ANY REPRODUCTION OR DISSEMINATION OF THIS INFORMATION WITHOUT THE PRIOR WRITTEN PERMISSION OF COMMODORE IS STRICTLY PROHIBITED.

C.A.D. GENERATED
 NO MANUAL CHANGES MAY BE MADE TO THIS DOCUMENT

SCHEMATIC A1200 VID BOARD CHANNEL 2
 E1364717
 SCALE SHEET 4 OF 13

DENISE IS PRETTY MUCH INTO VIDEO...